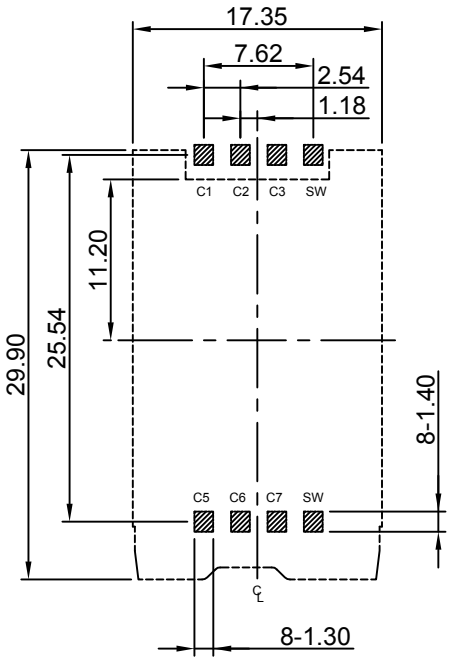
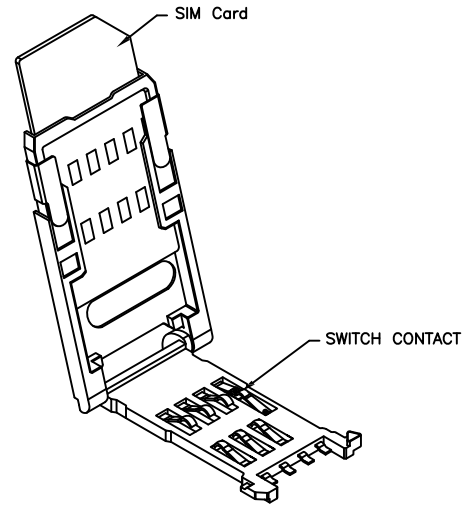


- C1---->VCC
- C2---->RST
- C3---->CLK
- C5---->GND
- C6---->Vpp
- C7---->I/O



RECOMMENDED PCB LAYOUT
GENERAL TOLERANCE ±0.10
AS VIEWED FROM COMPONENT SIDE

- Solder Area
- Component Outline



Specification 规格:
Material 物料规格:
Housing 塑胶主体: LCP UL94V0
Contact Terminal 接触端子: Phosphor Bronze 磷青铜
Metallic Shell 金属外壳: Stainless Steel - SUS304

Plating 电镀规格:
Contact Terminal plating 接触端子部分电镀:
Contact Area: 3μ" Gold, 3μ" 金
Soldering Area: 100μ" Tin, 100μ" 锡
Under-plating: 50μ" Nickel above, 50μ" 以上镍

Electrical 电气规格:
Voltage Rating 电压额定值: 50 V Max.
Current Rating 电流额定值: 1A Max.
Operating Temperature 工作温度: -40°C to +85°C
Contact Resistance 接触电阻值: 50mΩ typical, 100mΩ Max.
Insulating Resistance 绝缘电阻值: 1000MΩ Min. (Apply 施加 500V DC)
Dielectric Withstanding Voltage 耐电压: Withstand 500 VAC for 1 minute 能承受 500 VAC 1分钟

Mechanical 机械性规格:
Durability 耐久性: 5,000 cycles 5,000 次插拔

Ordering Grid
SIM5055 - **6** - **1** - **25** - **00** - **A** REQUEST SAMPLES AND QUOTATION

No. of Contacts 6
1 = With Switch (Normally Open)
00 = Without Post

Packing Options
A = Tape & Reel (900 per Reel)

By	SA	CM	RA
DETAIL	DRAWING RELEASE	DRAWING UPDATE	PACKING UPDATE
REV DATE	A 03/11/10	B 06/10/11	C 27/02/12

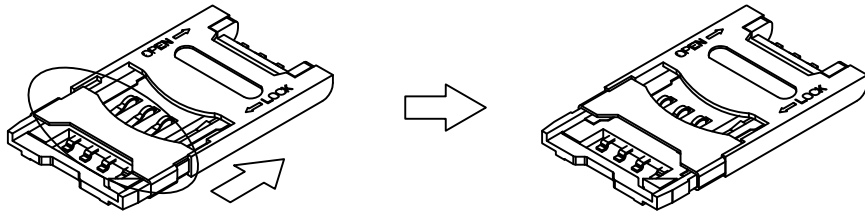


Tolerances (Except as noted)	Part Number:-	Date:-
Dimensions in mm	SIM5055	03 NOV 10
X.X ± 0.25 X.X' ± 1"	Description:-	
X.XX ± 0.15 X.X" ± 0.5"	SIM CARD CONNECTOR, HINGED TYPE, 6 PIN, SMT, 2.5MM PROFILE, WITH CARD DETECTION SWITCH	
X.XXX ± 0.050 X.XX" ± 0.25"	THIS DRAWING IS CONFIDENTIAL AND MUST NOT BE COPIED OR DISCLOSED WITHOUT WRITTEN CONSENT	
Third Angle Projection	Scale NTS	Revision C
	Material See Note	Drawn by SA
	E & OE	Sheet No. 1/3

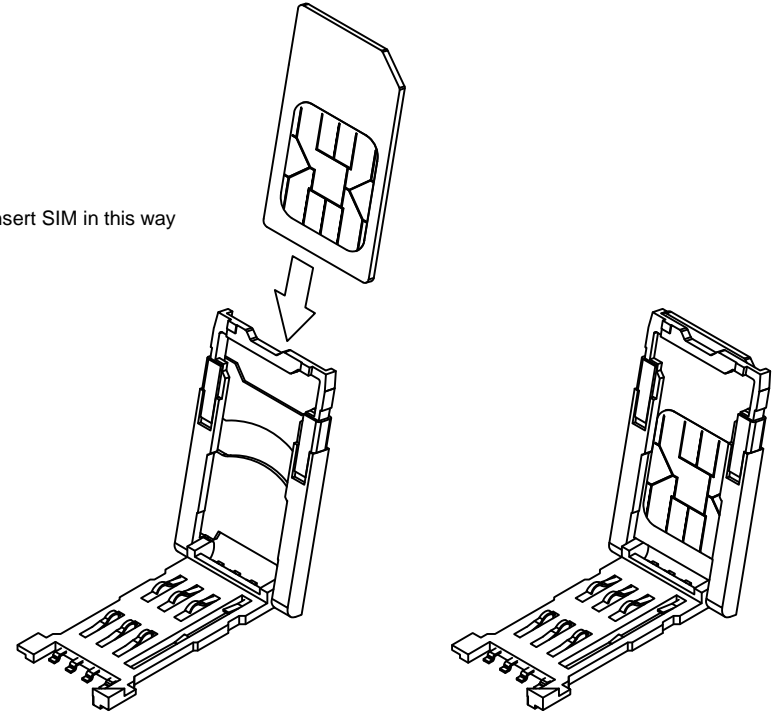
GCT

www.globalconnectortechology.com

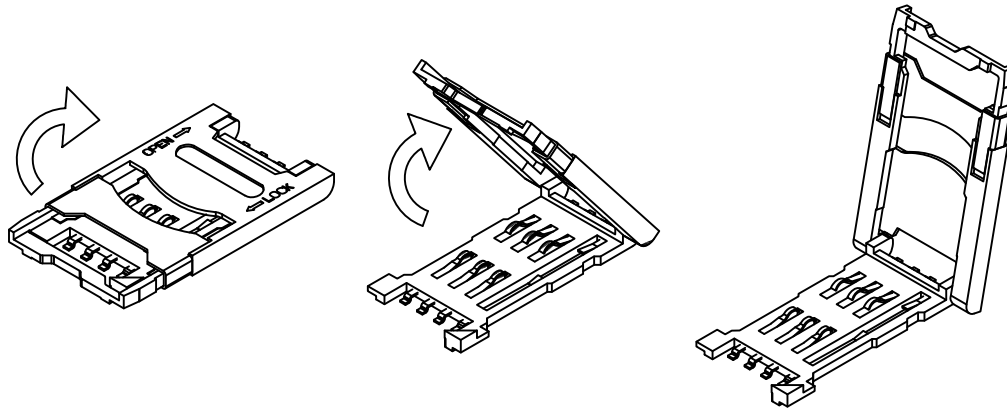
1 Slide metal lock back



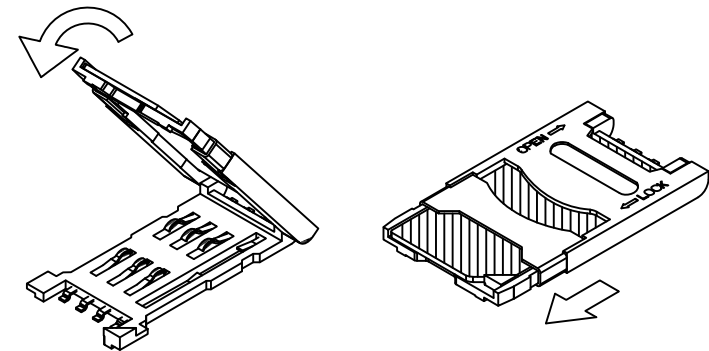
3 Insert SIM in this way



2 Open card holder section to allow SIM card to be inserted



4 Rotate lid back and slide metal clip back to lock holder in position



By	SA	CM	RA
DETAIL	DRAWING RELEASE	DRAWING UPDATE	PACKING UPDATE
REV DATE	A 03/11/10	B 06/10/11	C 27/02/12



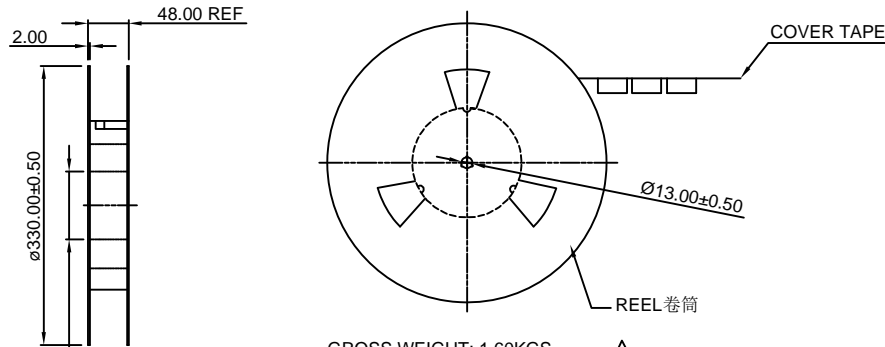
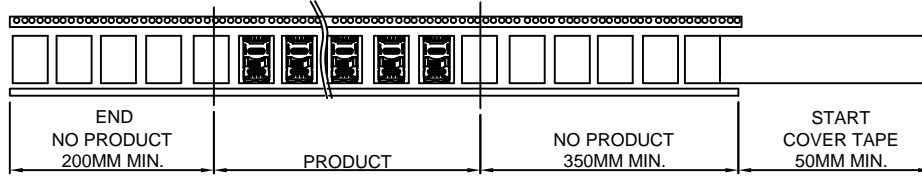
Tolerances (Except as noted)	Part Number:-	Date:-
Dimensions in mm	SIM5055	03 NOV 10
	Description:-	
	SIM CARD CONNECTOR, HINGED TYPE, 6 PIN, SMT, 2.5MM PROFILE, WITH CARD DETECTION SWITCH	
Third Angle Projection	THIS DRAWING IS CONFIDENTIAL AND MUST NOT BE COPIED OR DISCLOSED WITHOUT WRITTEN CONSENT	

GCT

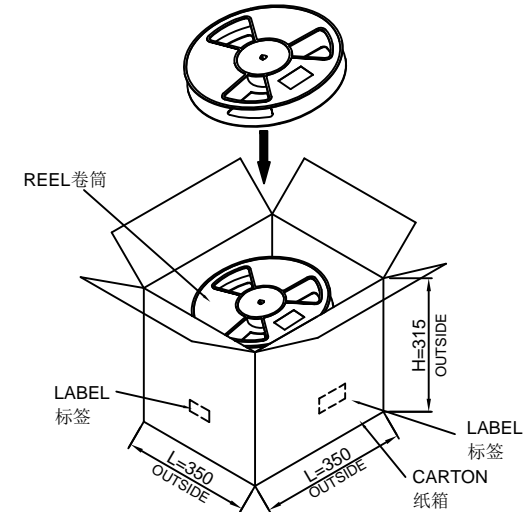
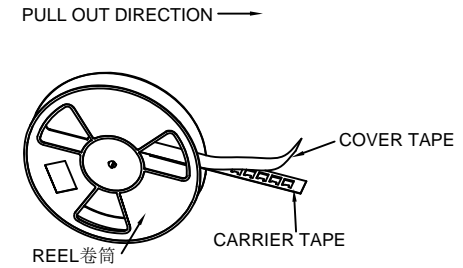
www.globalconnectortechnology.com

Scale	Revision	Material	Drawn by	Sheet No.
NTS	C	See Note	SA E & OE	2/3

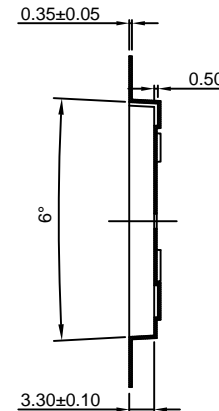
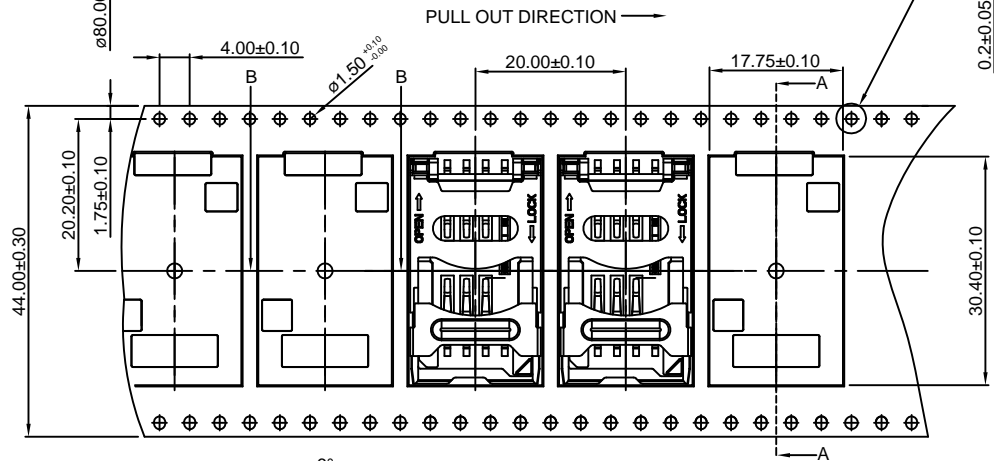
Global Connector Technology Ltd. - SIM5055 : SIM Card Connector, Hinged Type, 6 Pin, SMT, 2.5mm Profile, with Card Detection Switch - Normally Open



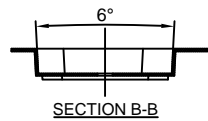
GROSS WEIGHT: 1.60KGS
QUANTITY: 900 PCS PER REEL



GROSS WEIGHT: 10.20KGS
QUANTITY: 5400 Pcs per carton
DIMENSIONS: 35.00L X 35.00W X 31.50H cm

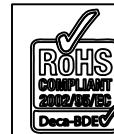


SECTION A-A



SECTION B-B

By	SA	CM	RA
DETAIL	DRAWING RELEASE	DRAWING UPDATE	PACKING UPDATE
REV DATE	A 03/11/10	B 06/10/11	C 27/02/12



Tolerances (Except as noted)	Part Number:-	Date:-
Dimensions in mm	SIM5055	03 NOV 10
	Description:-	
	SIM CARD CONNECTOR, HINGED TYPE, 6 PIN, SMT, 2.5MM PROFILE, WITH CARD DETECTION SWITCH	
Third Angle Projection	THIS DRAWING IS CONFIDENTIAL AND MUST NOT BE COPIED OR DISCLOSED WITHOUT WRITTEN CONSENT	

GCT

www.globalconnectortechology.com

Scale NTS	Revision C	Material See Note	Drawn by SA	E & OE	Sheet No. 3/3
-----------	------------	-------------------	-------------	--------	---------------